



Functions

Refer to page B-7.

Optional Accessories

Only for models with data output function

Order No.	Type	Description
05CZA662	B	Connecting cable (1 m)
05CZA663	B	Connecting cable (2 m)
06AFM380B	B	USB Input Tool Direct (2 m)
02AZD790B	B	Connecting cables for U-WAVE-T (160 mm)
02AZE140B	B	Connecting cables for U-WAVE-T For foot switch
264-622	IP67	U-WAVE-TM
264-623	Buzzer	U-WAVE-TM
264-626	IP67	U-WAVE-TMB
264-627	Buzzer	U-WAVE-TMB
02AZF310	IP67/ buzzer	Connecting unit for U-WAVE-TM/TMB

**Coolant Proof Micrometers
SERIES 293 — with Dust/Water Protection Conforming to IP65 Level**

- Superior environmental resistance.
- Measuring faces: Carbide.
- Oil-resistant material used for all plastic parts.
- Models equipped with a Digimatic output port can form part of a statistical process control or networked measurement system. (Refer to page A-3 for details.)



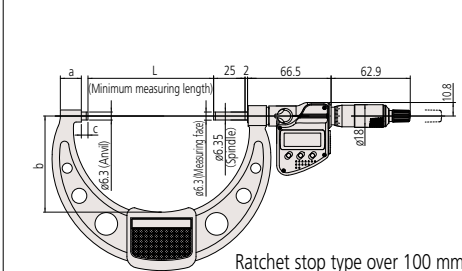
SPECIFICATIONS

		Metric								
	Order No.	Range (mm)	Resolution (mm)	Measuring force*1 (N)	Maximum permissible error J_{MPE} (μ m)	Parallelism (μ m)	Flatness (μ m)	Constant measuring force	Mass (g)	
with SPC data output	293-250-30	100 - 125	0.001	5 - 10	± 2	3	0.3	With ratchet stop	600	
	293-251-30	125 - 150							740	
	293-252-30	150 - 175							800	
	293-253-30	175 - 200			± 3	4			970	
	293-254-30	200 - 225							1100	
	293-255-30	225 - 250			± 4	5			1270	
	293-256-30	250 - 275							1370	
	293-257-30	275 - 300	1590							

		Inch / Metric								
	Order No.	Range (in)	Resolution	Measuring force*1 (N)	Maximum permissible error J_{MPE} (in)	Parallelism (in)	Flatness (in)	Constant measuring force	Mass (g)	
with SPC data output	293-350-30	4 - 5	0.0001 in / 0.001 mm	5 - 10	± 0.0001	0.00012	0.000012	With ratchet stop	600	
	293-351-30	5 - 6							740	
	293-352-30	6 - 7							800	
	293-353-30	7 - 8			± 0.00015	0.00016			970	
	293-354-30	8 - 9							1100	
	293-355-30	9 - 10			± 0.0002	0.0002			1270	
	293-356-30	10 - 11							1370	
	293-357-30	11 - 12	1590							

- Dust/water protection level: IP65 (IEC60529)*2
 - Battery:SR44 (1 pc.), **938882**, for initial operational checks (standard accessory)
 - Battery life: Approx. 2.4 years under normal use
 - Length standard: Electromagnetic rotary sensor
 - Standard accessories: Setting standard, 1 pc. (except for 0 to 25 mm (0 to 1 in) models), Spanner (**301336**), 1 pc.
 - *1 Measuring force when using the speeder ratchet (Apply a measuring force in the same condition as for measurement and then set the origin.)
 - *2 Rustproofing shall be applied after use.
- Note: All digits of models over 125 mm (5 in) measuring range are presettable.

DIMENSIONS



Range (mm)	Order No.	L	a	b	c
100 - 125	293-250-30	100	16.7	76	5.3
125 - 150	293-251-30	125	18.8	90	5.7
150 - 175	293-252-30	150	19.1	103	6.1
175 - 200	293-253-30	175	18.2	115	6.3
200 - 225	293-254-30	200	16.8	126	6.7
225 - 250	293-255-30	225	18	139	5.5
250 - 275	293-256-30	250		152	6.5
275 - 300	293-257-30	275	166		