

# Micrometer

The origin of Mitutoyo's trustworthy brand of small tool instruments

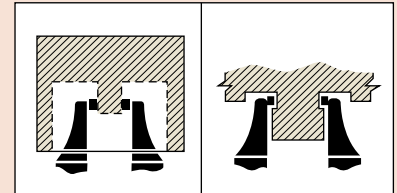
**MeasurLink** ENABLED  
Data Management Software by Mitutoyo

Products equipped with the measurement data output function can be connected to the measurement data network system MeasurLink® (refer to page A-25 for details).

## Caliper Type Micrometers SERIES 343, 143

**MeasurLink** ENABLED  
Data Management Software by Mitutoyo

- Effective for measuring workpiece features where access is difficult.
- Measuring faces: Carbide.
- Equipped with Ratchet Stop for constant measuring force.



### SPECIFICATIONS

Metric					
Order No.	Range (mm)	Resolution (mm)	Maximum permissible error $J_{MPE}$ ( $\mu$ m)	Flatness ( $\mu$ m)	Parallelism ( $\mu$ m)
Digimatic (LCD)					
343-250-30	0 - 25	0.001	$\pm 5$	0.3	3
343-251-30	25 - 50		$\pm 6$		
343-252-30	50 - 75		$\pm 7$		
343-253-30	75 - 100		$\pm 8$		4

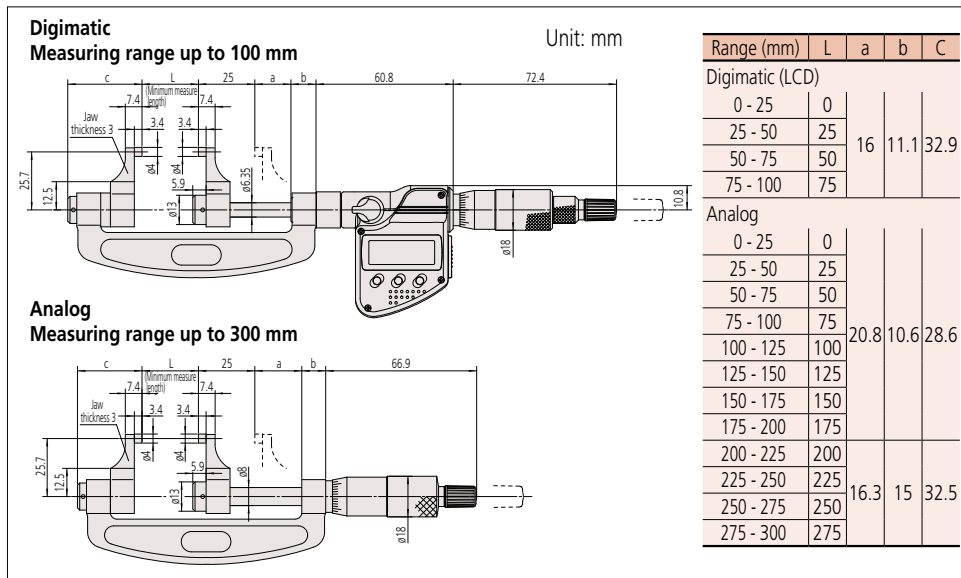
Inch / Metric					
Order No.	Range (in)	Graduation (in)	Maximum permissible error $J_{MPE}$ (in)	Flatness (in)	Parallelism (in)
Digimatic (LCD)					
343-350-30	0 - 1	0.0005 in/ 0.001 mm	$\pm 0.00025$	0.00012	0.00012
343-351-30	1 - 2		$\pm 0.0003$		
343-352-30	2 - 3		$\pm 0.00035$		
343-353-30	3 - 4		$\pm 0.0004$		0.00016

Metric					
Order No.	Range (mm)	Graduation (mm)	Maximum permissible error $J_{MPE}$ ( $\mu$ m)	Flatness ( $\mu$ m)	Parallelism ( $\mu$ m)
Analog					
143-101	0 - 25	0.01	$\pm 5$	0.3	3
143-102	25 - 50		$\pm 6$		
143-103	50 - 75		$\pm 7$		
143-104	75 - 100		$\pm 8$		
143-105	100 - 125		$\pm 9$		
143-106	125 - 150		$\pm 10$		
143-107	150 - 175		$\pm 11$		
143-108	175 - 200		$\pm 12$		
143-109	200 - 225				
143-110	225 - 250				
143-111	250 - 275				
143-112	275 - 300				

Inch					
Order No.	Range (in)	Graduation (in)	Maximum permissible error $J_{MPE}$ (in)	Flatness (in)	Parallelism (in)
Analog					
143-121	0 - 1	0.001 in	$\pm 0.00025$	0.00012	0.00012
143-122	1 - 2		$\pm 0.0003$		
143-123	2 - 3		$\pm 0.00035$		

Note: For functional details of series 343, refer to page B-8.  
Please note that these models are not water-proof.

### DIMENSIONS



### Technical Data

- Battery for series 343  
SR44 (1 pc.), 938882, for initial operational checks (standard accessory)
- Battery life: Approx. 2.4 years under normal use (for series 343)
- Length standard: Electromagnetic rotary sensor (for series 343)
- Standard accessories: Reference bar, 1 pc.  
(except for measuring range 0 to 25 mm (0 to 1 in) models)  
Spanner (301336), 1 pc.

### Optional Accessories for Series 343

- Connecting cables  
1 m: 05CZA662  
2 m: 05CZA663
- USB Input Tool Direct  
USB-ITN-B (2 m): 06AFM380B
- U-WAVE-T dedicated connection cable  
160 mm: 02AZD790B  
For foot switch: 02AZE140B  
Refer to page A-21 for details.

### Wireless Data Output U-WAVE fit

- U-WAVE-TM 264-622 (IP67 type)  
264-623 (Buzzer type)
- U-WAVE-TMB Transmitter  
Mitutoyo Bluetooth® U-WAVE  
264-626 (IP67 type)  
264-627 (Buzzer type)  
Refer to page A-10 for details.
- Connecting unit for U-WAVE-TM/TMB  
02AZF310 (IP67/buzzer type common specification)  
Refer to pages A-10 and A-12 for details.