

Bore Gages

Bore Gages SERIES 511

- This series includes models for highly accurate measurement of $\varnothing 18$ to 400 mm inside diameters.
- The contact point and anvil have a carbide ball tip that is highly durable and abrasion-resistant.
- The grip minimizes the variation of indicator values by reducing heat transfer from the operator's hand.
- Optional extension rods are available for measuring deep holes. Customized products with a longer rod below the grip are also available upon request.



511-702

Note: The dial indicator and the dial protection cover are optional.

SPECIFICATIONS

Metric

Order No.	Range (mm)	Stroke of contact point (mm)	Accuracy* (μm)	Repeatability* (μm)	Adjacent error* (μm)	Measuring force (N)	Guide force (N)			
511-701	18 - 35	1.2	2	0.5	1	4 or less	6 or less			
511-702	35 - 60									
511-703	50 - 150	1.6				2	0.5	1	5 or less	10 or less
511-704	100 - 160									
511-705	160 - 250								6 or less	15 or less
511-706	250 - 400									
511-721-20	18 - 35	1.2	2	0.5	1	4 or less	6 or less			
511-722-20	35 - 60									
511-723-20	50 - 150	1.6				2	0.5	1	5 or less	10 or less
511-724-20	100 - 160									
511-725-20	160 - 250								6 or less	15 or less
511-726-20	250 - 400									
511-711-20	18 - 35	1.2	2	0.5	1	4 or less	6 or less			
511-712-20	35 - 60									
511-713-20	50 - 150	1.6				2	0.5	1	5 or less	10 or less
511-714-20	100 - 160									
511-715-20	160 - 250								6 or less	15 or less
511-716-20	250 - 400									
511-921-20	18 - 150	See SPECIFICATIONS of 511-701/702/703								
511-922-20										
511-925-10										

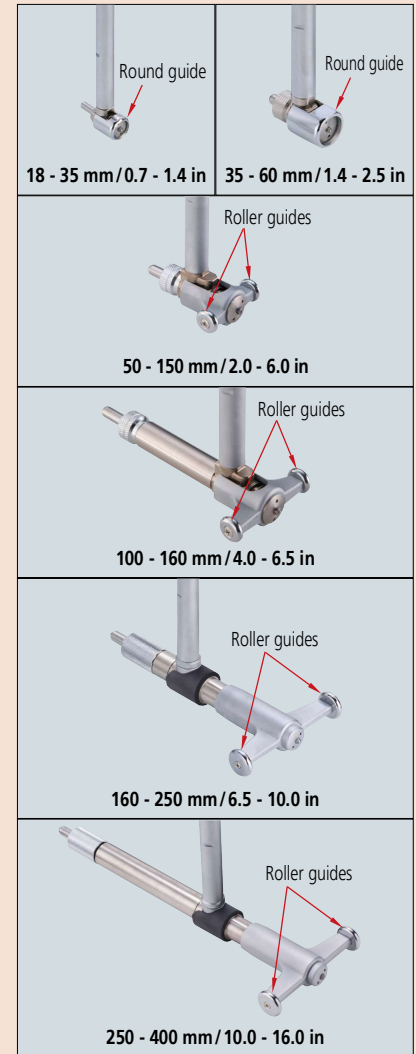
Order No.	Content of set								Probing depth (mm)	
	Bore gage	Dial indicator	Dial protection cover	Anvil	Interchangeable Washer	Sub-Anvil	Spanner			
511-701	511-701	Not supplied	Not supplied	9 pcs.	2 pcs.	Not supplied	1 pc.	100		
511-702	511-702			6 pcs.						
511-703	511-703			11 pcs.	4 pcs.	1 pc.	Not supplied		150	
511-704	511-704			13 pcs.						
511-705	511-705			6 pcs.		Not supplied	Not supplied			250
511-706	511-706			5 pcs.	7 pcs.	1 pc.				
511-721-20	511-701	2109AB-10 (Graduation: 0.001 mm)	21DZA000	9 pcs.	2 pcs.	Not supplied	1 pc.	100		
511-722-20	511-702			6 pcs.						
511-723-20	511-703			11 pcs.	4 pcs.	1 pc.	Not supplied		150	
511-724-20	511-704			13 pcs.						
511-725-20	511-705			6 pcs.		Not supplied	Not supplied			250
511-726-20	511-706			5 pcs.	7 pcs.	1 pc.				
511-711-20	511-701	2046AB (Graduation: 0.01 mm)	21DZA000	9 pcs.	2 pcs.	Not supplied	1 pc.	100		
511-712-20	511-702			6 pcs.						
511-713-20	511-703			11 pcs.	4 pcs.	1 pc.	Not supplied		150	
511-714-20	511-704			13 pcs.						
511-715-20	511-705			6 pcs.		Not supplied	Not supplied			250
511-716-20	511-706			5 pcs.	7 pcs.	1 pc.				
511-921-20	Set of	2046AB	21DZA000	See SPECIFICATIONS of 511-701/702/703						
511-922-20	511-701/	2109AB-10								
511-925-10	702/703	543-310B								

* Accuracy of the bore gage alone.

Note 1: A 50 mm sub-anvil is supplied with 511-703, and a 75 mm sub-anvil is supplied with 511-706.

Note 2: It is not permissible to use a sub-anvil other than as supplied as a standard accessory, or widen a measuring range by using multiple sub-anvils. (The measurement accuracy in such cases is not guaranteed.)

Contact Points



Extension Rod

Refer to page C-49.

The dial protection cover, recommended indicators

Refer to page C-50.

Setting rings

Refer to pages C-52 to C-55.