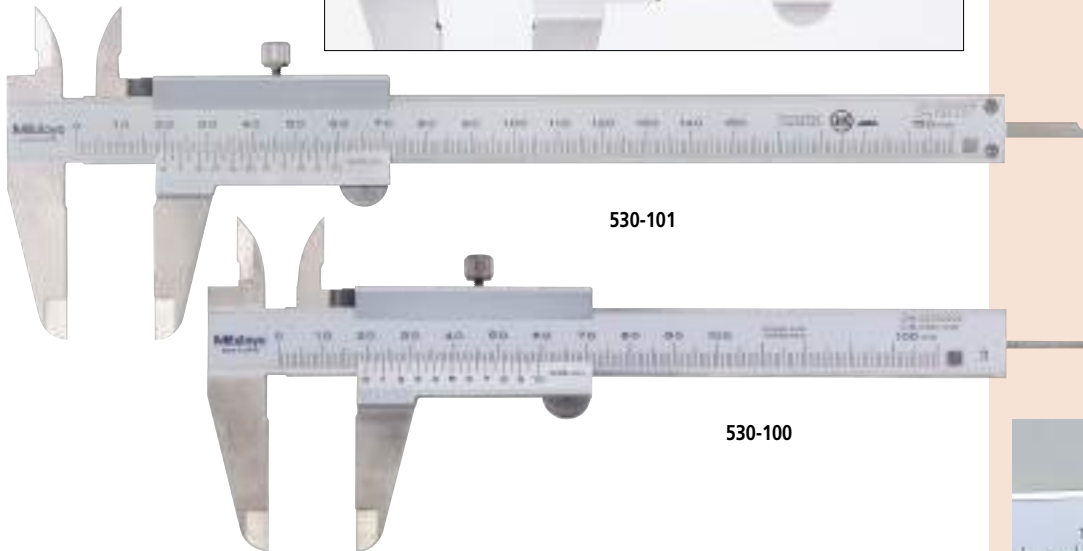
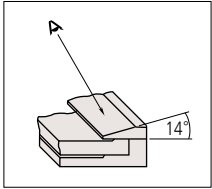


Calipers

An industry standard measuring tool

Vernier Caliper SERIES 530 — Standard model

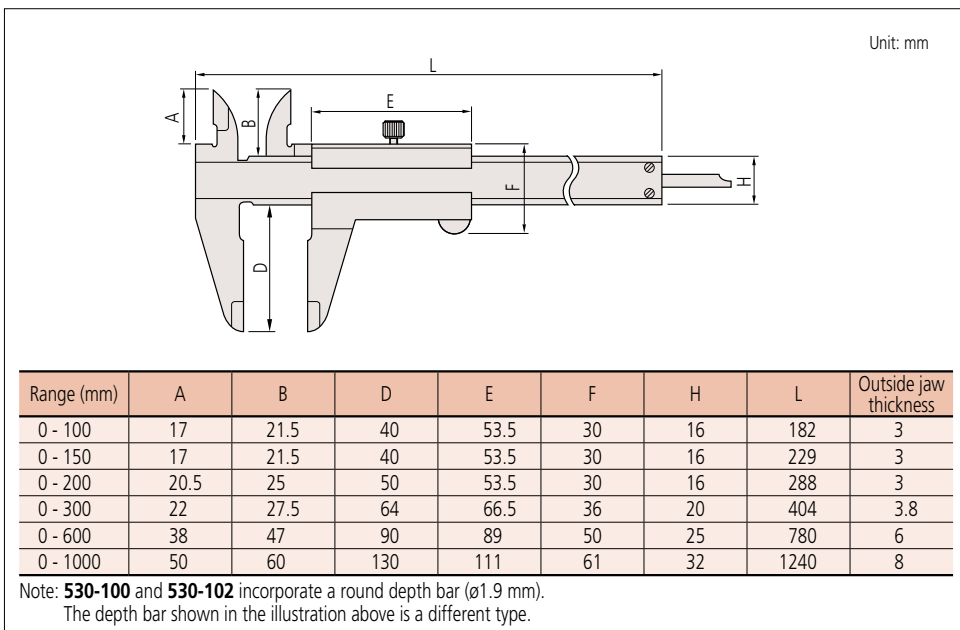
- Plain and basic design.
- Stepped graduation face prevents dust ingress between the main scale and slider.
- The small vernier face angle (14°) provides easy reading.
- Can measure steps, since the end faces of the beam and slider are the zero reference point (measuring face). Standard calipers allow four types of measurement, i.e. outside, inside, depth, and step.
- Carbide-tipped jaw calipers are optimal for rough finished parts, castings, grinding stones, etc.
- Decimal and fractional graduated scales (metric/inch and inch models only).



530-101

530-100

DIMENSIONS



530-102 (Round depth bar type)



530-320
(Carbide-tipped jaws for outside measurement)

SPECIFICATIONS

Metric					
Order No.	Range (mm)	Maximum permissible error (mm)*1 • E_{MPE} (outside measurement) • S_{MPE} (inside measurement)	Depth bar	Graduation (mm)	Remarks
530-101	0 - 150	±0.05	Blade	0.05	—
530-122		±0.03		0.02	High accuracy model
530-108	0 - 200	±0.05		0.05	—
530-123		±0.03		0.02	High accuracy model
530-109	0 - 300	±0.08		0.05	—
530-124		±0.04		0.02	High accuracy model

Order No.	Range (mm)	Maximum permissible error (mm)*2		Depth bar	Graduation (mm)	Remarks
		E_{MPE}	S_{MPE}			
530-100	0 - 100	±0.05	±0.07	ø1.9 mm rod	0.05	—
530-102		±0.05	±0.07			—
530-320	0 - 150	±0.05	±0.07	Blade		Carbide-tipped jaws for outside measurement
530-335		±0.05	±0.07			Carbide-tipped jaws for outside and inside measurement
530-321	0 - 200	±0.05	±0.07			Carbide-tipped jaws for outside measurement
530-322	0 - 300	±0.08	±0.10			Carbide-tipped jaws for outside measurement
530-501	0 - 600	±0.10	±0.12	—		—
530-502	0 - 1000	±0.15	±0.17	—		—

*1 Partial Measuring Face Contact Error, E_{MPE} and Shift Error, S_{MPE} are terms (notations) used in JIS B 7507: 2016, revised based on ISO 13385-1: 2011.

*2 Partial Surface Contact Error, E_{MPE} and Shift Error, S_{MPE} are terms (notations) used in ISO 13385-1:2019.

Metric/Inch with metric/inch double scale

Order No.	Range (mm)	Maximum permissible error (mm)		Depth bar	Graduation	Remarks
		E_{MPE}	S_{MPE}			
530-104	0 - 150	±0.05	±0.07	Blade	0.05 mm (1/128 in)	—
530-316					0.02 mm (0.001 in)	Clamping screw below the slider
530-312		0.05 mm (1/128 in)	High accuracy model: ±0.03 mm			
530-114	0 - 200	±0.05	±0.07		0.02 mm (0.001 in)	High accuracy model: ±0.03 mm
530-118		±0.03	±0.05		0.05 mm (1/128 in)	—
530-115	0 - 300	±0.08	±0.10		0.02 mm (0.001 in)	High accuracy model: ±0.04 mm
530-119		±0.04	±0.06	—	—	

Inch with inch/inch double scale

Order No.	Range (in)	Maximum permissible error (in)		Depth bar	Graduation (in)	Remarks
		E_{MPE}	S_{MPE}			
530-105	0 - 6	±0.5/128	±0.5/128	Blade	0.001	—
530-116	0 - 8	±0.5/128	±0.5/128			

Measurement Applications

1. Outside measurement



2. Inside measurement



3. Step measurement



4. Depth measurement

