

# Micrometer Head

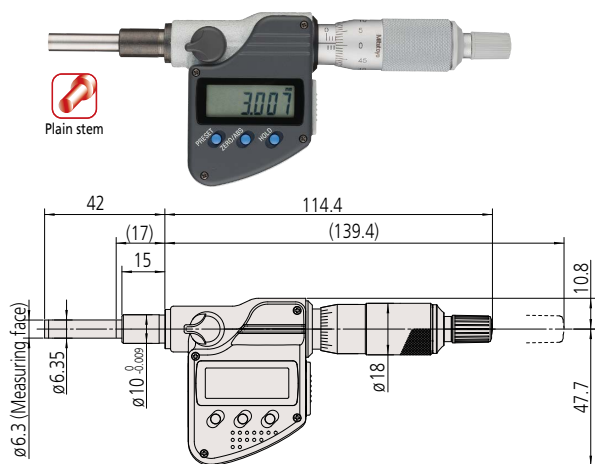
The origin of Mitutoyo's trustworthy brand of small tool instruments

## Digimatic Micrometer Heads SERIES 164, 350

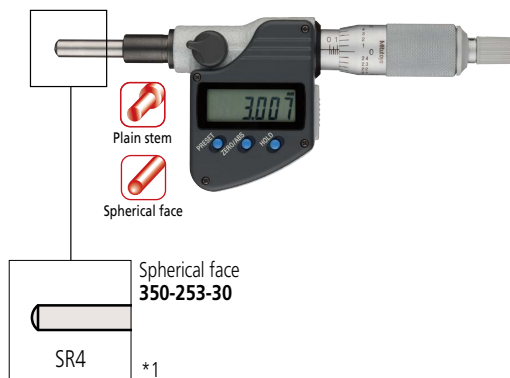
### DIMENSIONS

#### Plain Stem

Unit: mm

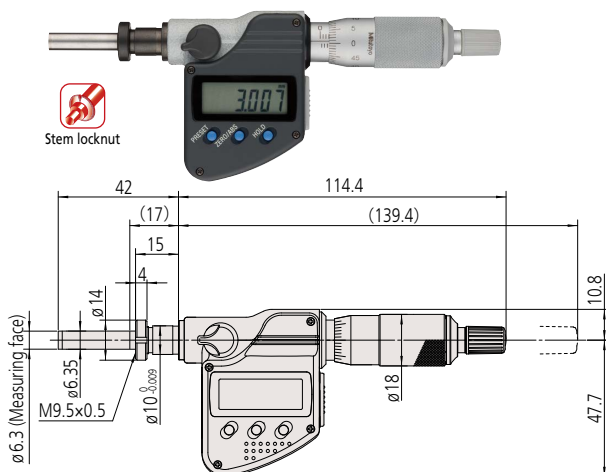


**350-251-30**  
(Stem dia. 10 mm, for general use) Mass: 230 g

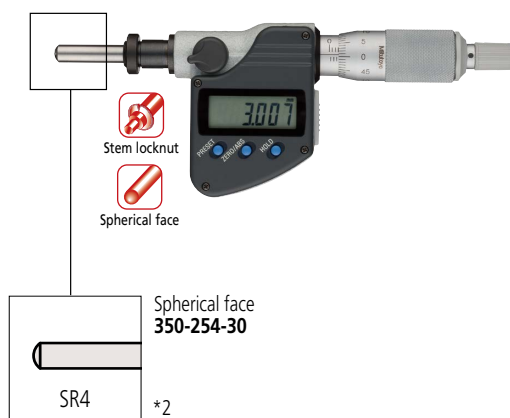


\*1 Other dimensions are the same as **350-251-30**.  
( ) : with spindle fully retracted.

#### Stem Locknut



• Fixture thickness: 11.5 mm  
**350-252-30**  
(Stem dia. 10 mm, for general use) Mass: 230 g



\*2 Other dimensions are the same as **350-252-30**.  
( ) : with spindle fully retracted.