

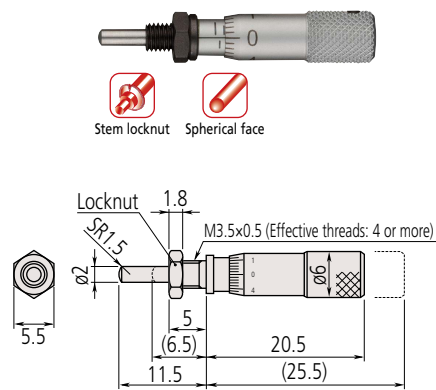
# Micrometer Head

The origin of Mitutoyo's trustworthy brand of small tool instruments

## Micrometer Heads SERIES 148 — Small Standard Type

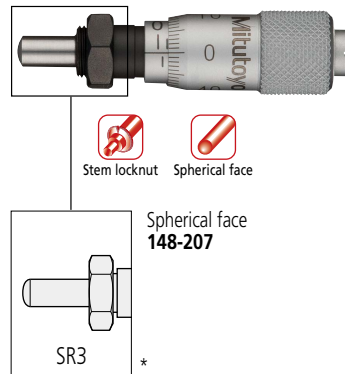
### DIMENSIONS

#### Stem Locknut



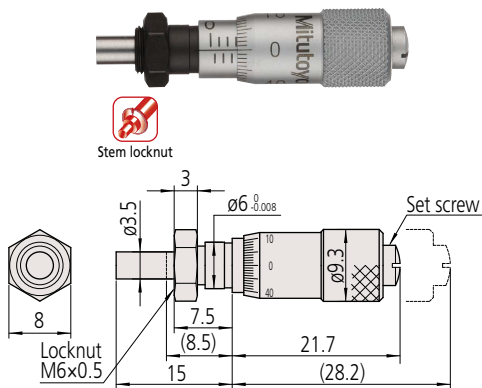
• Fixture thickness: 3 mm  
**148-216** Mass: 4 g

Unit: mm

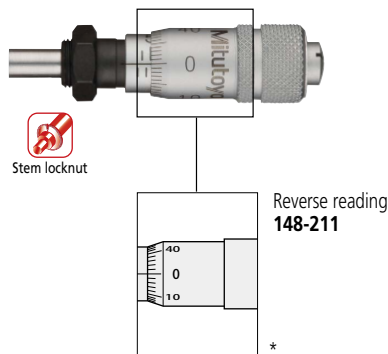


Spherical face  
**148-207**

\*



• Fixture thickness: 4 mm  
**148-203** Mass: 10 g



Reverse reading  
**148-211**

\*

\* Other dimensions are the same as **148-203**.  
( ): with spindle fully retracted.