

Micrometer Heads SERIES 148 — Short Thimble with Choice of Diameter

Technical Data

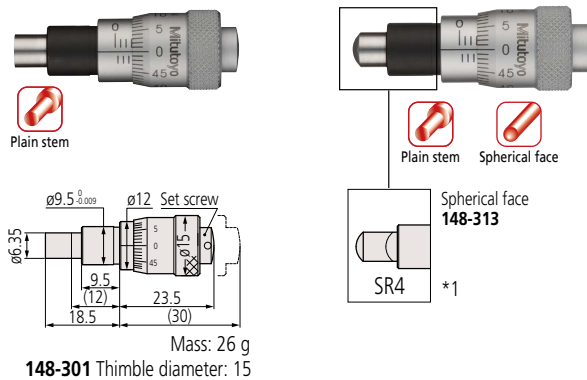
- Graduation: 0.01 mm or 0.001 in
- Spindle pitch: 0.5 mm or 0.025 in
- Measuring face
Material: Alloy tool steel
Hardness: 60 HRC or more
Lapped
- Scale finishing:
Satin-chrome plated

- Short body design maintains measuring range for limited space applications.

- Available in three thimble diameters to provide ease-of-reading options.

DIMENSIONS

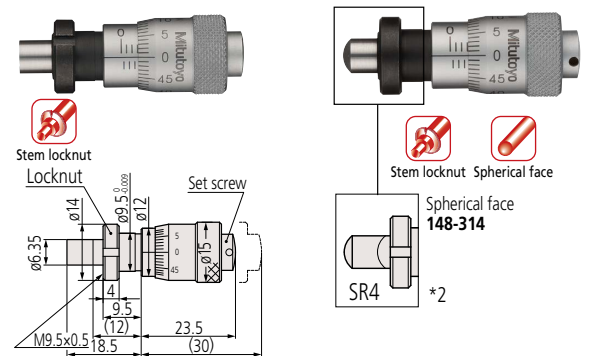
Plain Stem



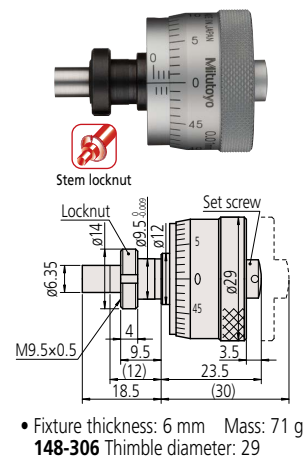
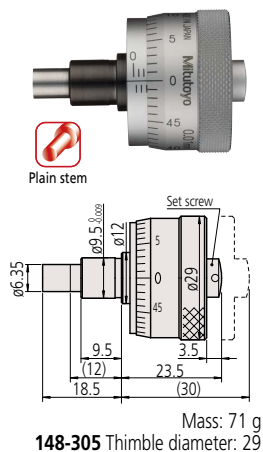
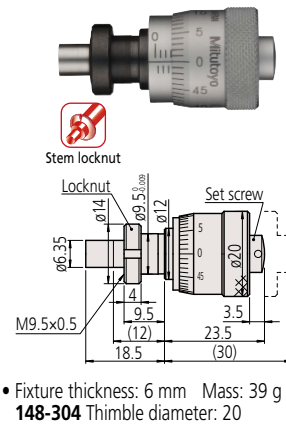
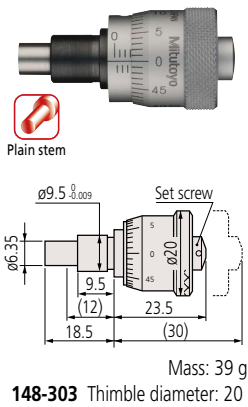
*1 Other dimensions are the same as 148-301.

Stem Locknut

Unit: mm



*2 Other dimensions are the same as 148-302.



(): with spindle fully retracted.