

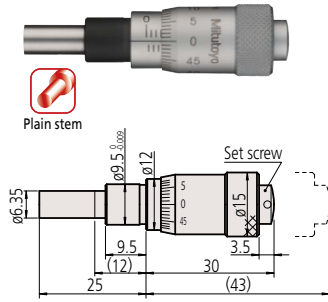
Micrometer Head

The origin of Mitutoyo's trustworthy brand of small tool instruments

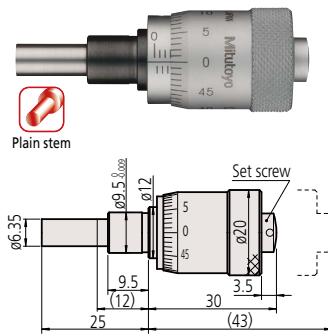
Micrometer Heads SERIES 148 — Short Thimble with Choice of Diameter

DIMENSIONS

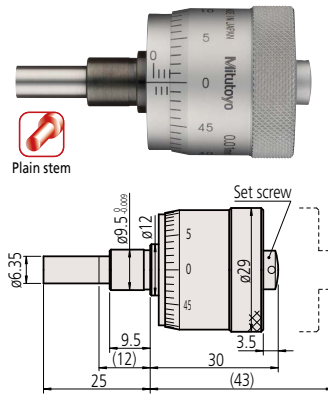
Plain Stem



Mass: 35 g
148-307 Thimble diameter: 15



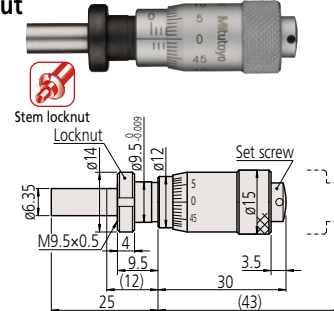
Mass: 55 g
148-309 Thimble diameter: 20



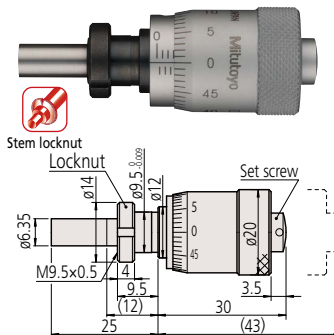
Mass: 103 g
148-311 Thimble diameter: 29

Stem Locknut

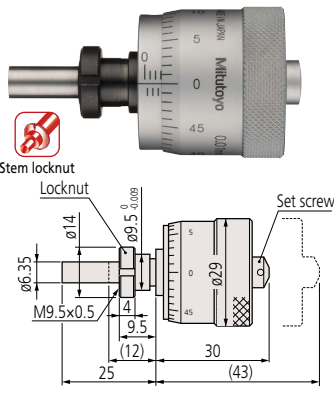
Unit: mm



• Fixture thickness: 6 mm Mass: 35 g
148-308 Thimble diameter: 15



• Fixture thickness: 6 mm Mass: 55 g
148-310 Thimble diameter: 20



• Fixture thickness: 6 mm Mass: 103 g
148-312 Thimble diameter: 29

() : with spindle fully retracted.

SPECIFICATIONS

Metric						
Order No.	Range (mm)	Maximum permissible error J_{MPE} (μ m)	Stem dia. (mm)	Stem	Spindle end	Special features
148-301	0 - 6.5	± 2	9.5	Plain	Flat	15 mm thimble dia.
148-302				W/clamp nut		20 mm thimble dia.
148-303				Plain		29 mm thimble dia.
148-304				W/clamp nut		15 mm thimble dia.
148-305				Plain		20 mm thimble dia.
148-306				W/clamp nut		29 mm thimble dia.
148-313	0 - 13	± 2	9.5	Plain	Spherical (SR4)	15 mm thimble dia.
148-314				W/clamp nut		20 mm thimble dia.
148-307				Plain		15 mm thimble dia.
148-308				W/clamp nut		20 mm thimble dia.
148-309				Plain		29 mm thimble dia.
148-310				W/clamp nut		29 mm thimble dia.

Inch						
Order No.	Range (in)	Maximum permissible error J_{MPE} (in)	Stem dia. (in)	Stem	Spindle end	Special features
148-351	0 - 0.25	± 0.0001	0.375	Plain	Flat	0.59 in thimble dia.
148-352				W/clamp nut		0.79 in thimble dia.
148-353				Plain		1.14 in thimble dia.
148-354				W/clamp nut		0.59 in thimble dia.
148-355				Plain		0.79 in thimble dia.
148-356				W/clamp nut		1.14 in thimble dia.
148-357	0 - 0.5	± 0.0001	0.375	Plain	Flat	0.59 in thimble dia.
148-358				W/clamp nut		0.79 in thimble dia.
148-359				Plain		1.14 in thimble dia.
148-360				W/clamp nut		0.59 in thimble dia.
148-361				Plain		0.79 in thimble dia.
148-362				W/clamp nut		1.14 in thimble dia.