

Technical Data


- Graduation: 0.01 mm or 0.001 in
- Spindle pitch: 0.5 mm or 0.025 in
- Measuring face
- Material: Alloy tool steel
- Hardness: 60 HRC or more
- Lapped
- Scale finishing:
- Satin-chrome plated

Micrometer Heads SERIES 148 — Small Thimble Diameter Standard Type



- Measuring range of 13 mm.
- The thimble can be set to zero at any position by loosening the setscrew.

DIMENSIONS

Plain Stem Mass: 35 g



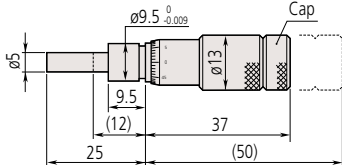
All stainless steel model

Plain stem

Plain stem Spherical face

Plain stem



148-503 148-513 All stainless steel model

Unit: mm


Spherical face
148-853

SR4 *1



Reverse reading
148-863

*1 Other dimensions are the same as 148-503.

Plain Stem and Spindle Lock Mass: 35 g

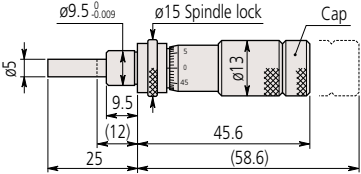


Plain stem

Plain stem Spherical face

Plain stem



148-506

Spherical face
148-856

SR4 *2

Reverse reading
148-866

*2 Other dimensions are the same as 148-506.
(): with spindle fully retracted.

SPECIFICATIONS

Metric							Inch						
Order No.	Range (mm)	Maximum permissible error J_{MPE} (μ m)	Stem dia. (mm)	Stem	Spindle end	Special features	Order No.	Range (in)	Maximum permissible error J_{MPE} (in)	Stem dia. (in)	Stem	Spindle end	Special features
148-503	0 - 13	± 2	9.5	Plain	Flat	Standard	148-501	0 - 0.5	± 0.0001	0.375	Plain	Flat	Standard
148-513						Stainless steel throughout	148-511*2						Stainless steel throughout
148-508				W/clamp nut	Spherical (SR4)	Standard	148-507*2				W/clamp nut		
148-506				Plain*1			148-505				Plain*1		
148-504				W/clamp nut*1	Flat	Reverse reading	148-502				W/clamp nut*1		
148-853				Plain			148-851				Plain		
148-854				W/clamp nut*1	Spherical (SR4)	Standard	148-852				W/clamp nut*1		
148-863				Plain			148-861				Plain		
148-864				W/clamp nut*1	Flat	Stainless steel throughout	148-862				W/clamp nut*1		
148-518*2				W/clamp nut			148-858*2				Spherical (SR4)	Standard	
148-858*2				W/clamp nut	Spherical (SR4)	Standard	148-852				W/clamp nut*1		
148-866*2				Plain*1			148-851				Plain		
148-866*2				Plain*1	Flat	Reverse reading	148-852				W/clamp nut*1		
148-856*2				Plain*1			148-861				Plain		
148-856*2	Plain*1	Spherical (SR4)	Standard	148-862	W/clamp nut*1								
148-868*2	W/clamp nut			148-861	Plain								
148-868*2	W/clamp nut	Flat	Reverse reading	148-862	W/clamp nut*1								

*1 With spindle lock *2 Made-to-order models