

Micrometer Head

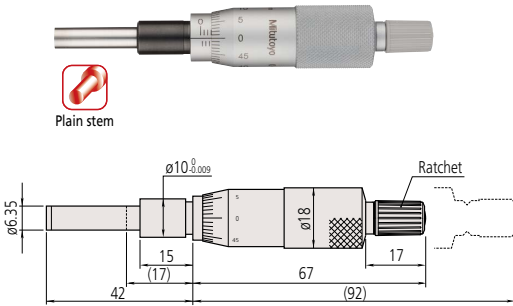
The origin of Mitutoyo's trustworthy brand of small tool instruments

Micrometer Heads SERIES 150 — Medium-sized Standard Type

DIMENSIONS

Plain Stem

Mass: 95 g



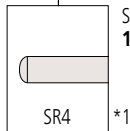
150-192



Plain stem



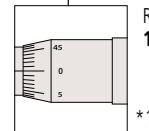
Spherical face
150-801



(): with spindle fully retracted. Unit: mm



Plain stem

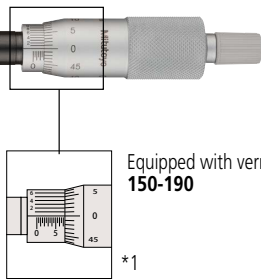


Reverse reading
150-821

*1

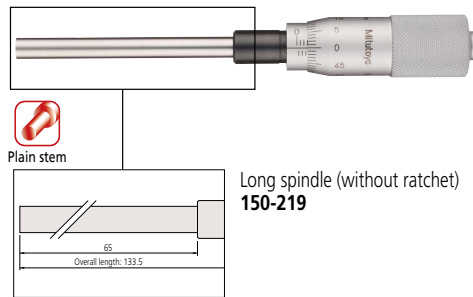


Plain stem



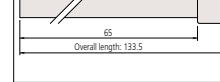
Equipped with vernier scale
150-190

*1



Plain stem

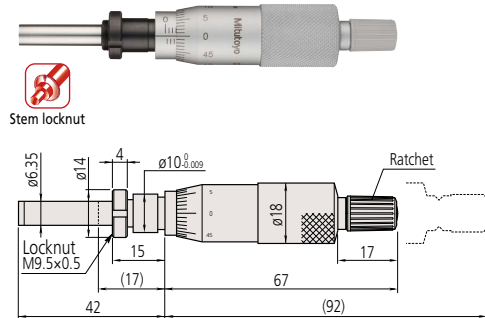
Long spindle (without ratchet)
150-219



*1 Other dimensions are the same as 150-192.

Stem Locknut

Mass: 100 g



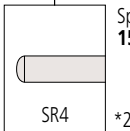
• Fixture thickness: 11.5 mm
150-191



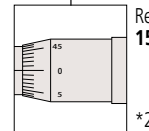
Stem locknut



Spherical face
150-802



Stem locknut

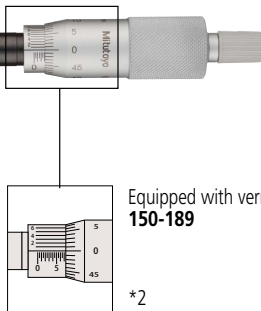


Reverse reading
150-822

*2

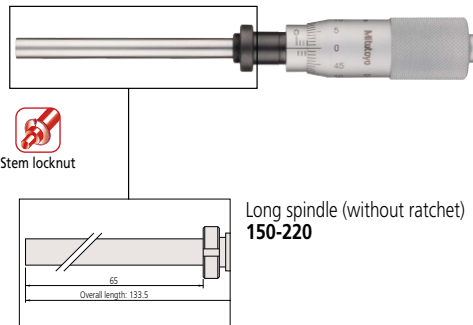


Stem locknut



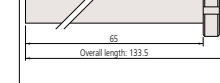
Equipped with vernier scale
150-189

*2



Stem locknut

Long spindle (without ratchet)
150-220



*2 Other dimensions are the same as 150-191.