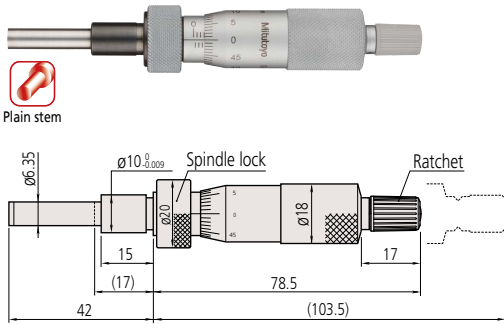


Micrometer Heads SERIES 150 — Medium-sized Standard Type

DIMENSIONS

Plain Stem and Spindle Lock Mass: 110 g

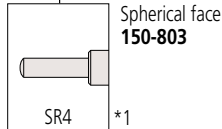
(): with spindle fully retracted. Unit: mm



150-209



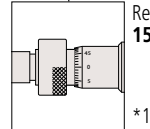
Plain stem Spherical face
150-803



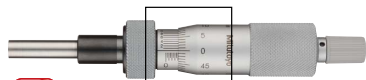
*1



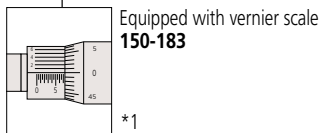
Plain stem
Reverse reading
150-823



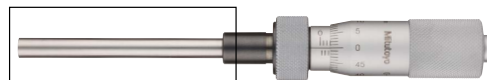
*1



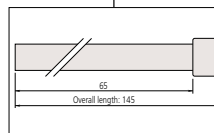
Plain stem
Equipped with vernier scale
150-183



*1



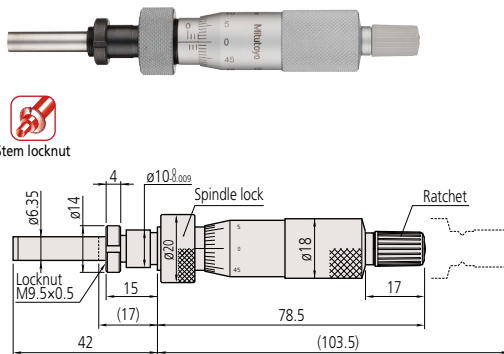
Plain stem
Long spindle (without ratchet)
150-223



*1

*1 Other dimensions are the same as 150-209.

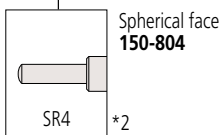
Stem Locknut and Spindle Lock Mass: 115 g



• Fixture thickness: 11.5 mm
150-210



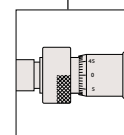
Stem locknut Spherical face
150-804



*2



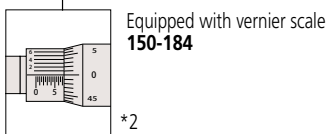
Stem locknut
Reverse reading
150-824



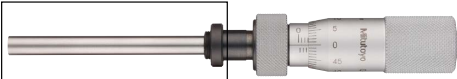
*2



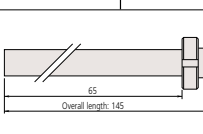
Stem locknut
Equipped with vernier scale
150-184



*2



Stem locknut
Long spindle (without ratchet)
150-224



*2

*2 Other dimensions are the same as 150-210.