

Micrometer Head

The origin of Mitutoyo's trustworthy brand of small tool instruments

Micrometer Heads

SERIES 151 — Medium-sized Standard Type with 8 mm Diameter Spindle

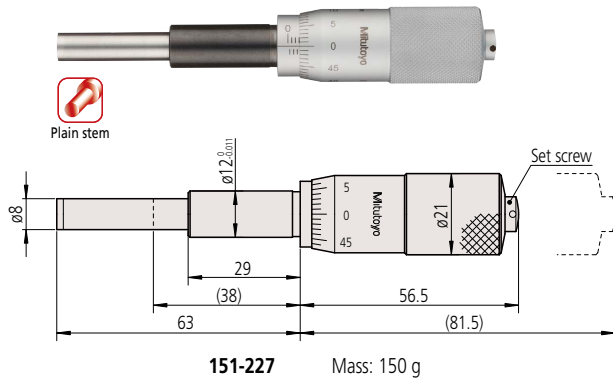
- Larger spindle (ø8 mm) for heavy-duty applications (normally ø6.35 mm).

Technical Data

- Graduation: 0.01 mm, 0.001 mm (w/vernier), 0.001 in or 0.0001 in (w/vernier)
- Spindle pitch: 0.5 mm or 0.025 in
- Measuring face Material: Carbide Hardness: 90 HRA or more Lapped
- Scale finishing: Satin-chrome plated

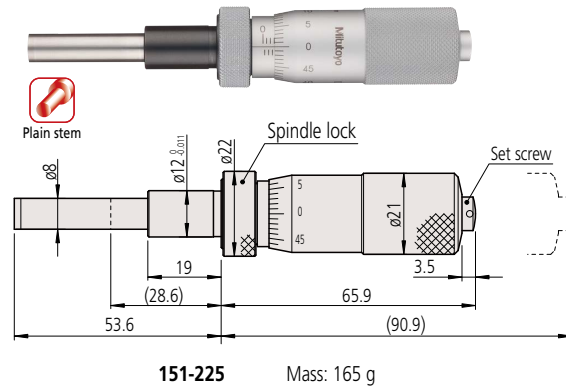
DIMENSIONS

Plain Stem

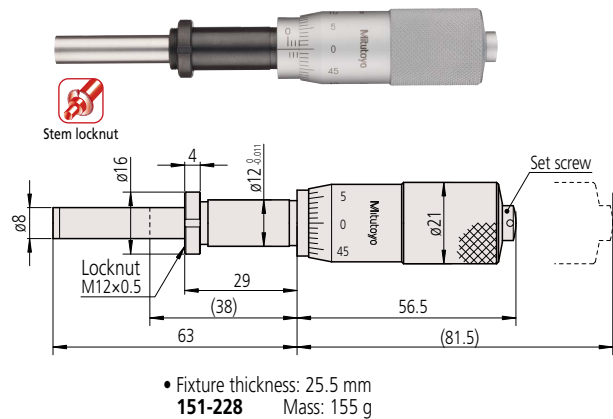


Plain Stem and Spindle Lock

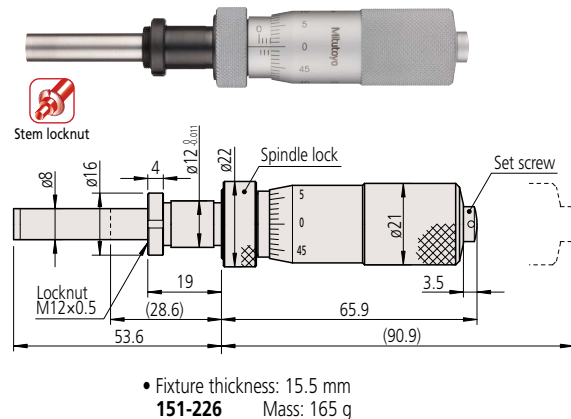
Unit: mm



Stem Locknut



Stem Locknut and Spindle Lock



• Fixture thickness: 25.5 mm
151-228 Mass: 155 g

• Fixture thickness: 15.5 mm
151-226 Mass: 165 g

() : with spindle fully retracted.

SPECIFICATIONS

Metric											
Order No.	Range (mm)	Maximum permissible error J_{MPE} (μ m)	Stem dia. (mm)	Stem	Spindle end	Special features					
151-224	0 - 25	± 2	12	Plain	Flat (carbide tip)	W/vernier (0.001 mm)					
151-223				W/clamp nut							
151-214*2				Plain*1							
151-213*2				W/clamp nut*1							
151-222				Plain							
151-221				W/clamp nut							
151-212*2				Plain*1							
151-211*2				W/clamp nut*1							
151-227				Plain							
151-228				W/clamp nut							
151-225				Plain*1							
151-226				W/clamp nut*1							
151-256				0 - 50			± 4	12	Plain	Flat (carbide tip)	W/o ratchet stop
151-255									W/clamp nut		
151-260	Plain										
151-259	W/clamp nut										

*1 With spindle lock *2 Made-to-order models

Inch						
Order No.	Range (in)	Maximum permissible error J_{MPE} (in)	Stem dia. (in)	Stem	Spindle end	Special features
151-240	0 - 0.1	± 0.0001	0.5	Plain	Flat (carbide tip)	W/o ratchet stop
151-239				W/clamp nut		
151-238				Plain		
151-237				W/clamp nut		
151-241*2				Plain*1		
151-242*2				W/clamp nut*1		
151-243*2				Plain*1		
151-244*2				W/clamp nut*1		
151-272				Plain		
151-271				W/clamp nut		
151-240	0 - 0.2	± 0.0002	0.5	Plain	Flat (carbide tip)	W/o ratchet stop
151-239				W/clamp nut		
151-238				Plain		
151-237				W/clamp nut		

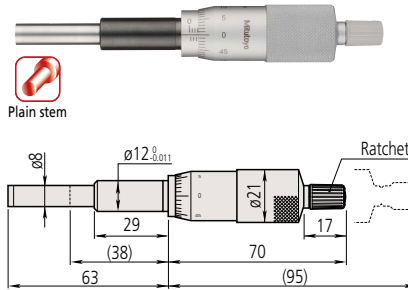
*1 With spindle lock *2 Made-to-order models

Micrometer Heads

SERIES 151 — Medium-sized Standard Type with 8 mm Diameter Spindle

DIMENSIONS

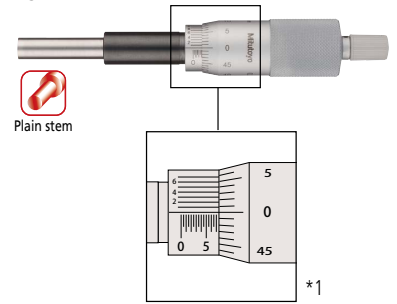
Plain Stem



151-224 Mass: 150 g

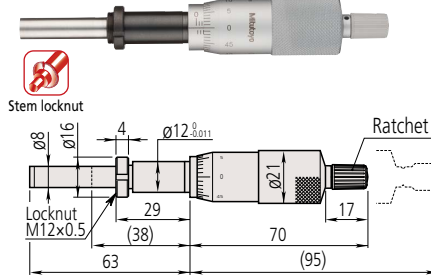
Equipped with vernier scale 151-222

Unit: mm



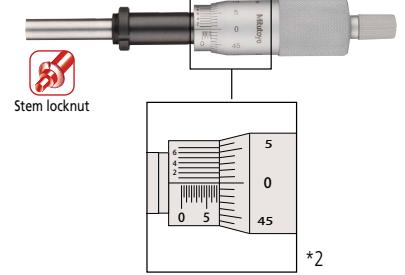
*1 Other dimensions are the same as **151-224**.

Stem Locknut



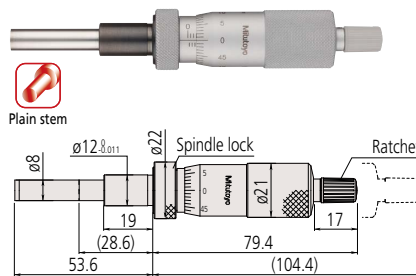
• Fixture thickness: 25.5 mm
151-223 Mass: 155 g

Equipped with vernier scale 151-221



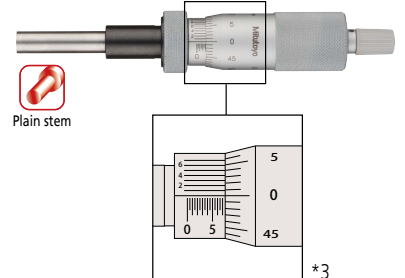
*2 Other dimensions are the same as **151-223**.

Stem Locknut and Spindle Lock



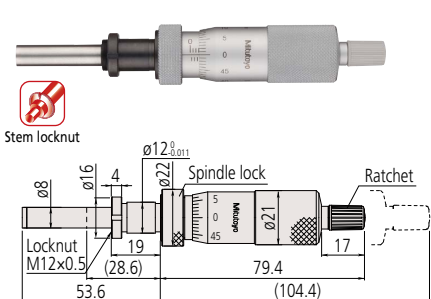
151-214 Mass: 160 g

Equipped with vernier scale 151-212



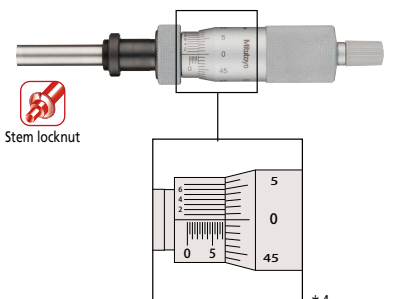
*3 Other dimensions are the same as **151-214**.

Stem Locknut and Spindle Lock



• Fixture thickness: 15.5 mm
151-213 Mass: 165 g

Equipped with vernier scale 151-211



*4 Other dimensions are the same as **151-213**.
(): with spindle fully retracted.

Micrometer Head

The origin of Mitutoyo's trustworthy brand of small tool instruments

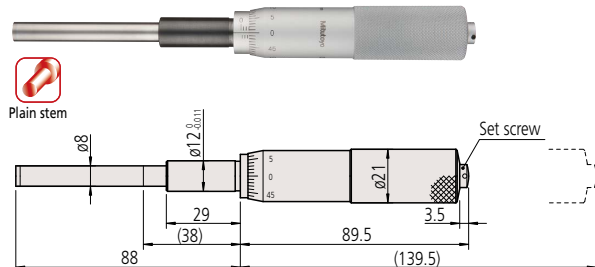
Micrometer Heads

SERIES 151 — Medium-sized Standard Type with 8 mm Diameter Spindle

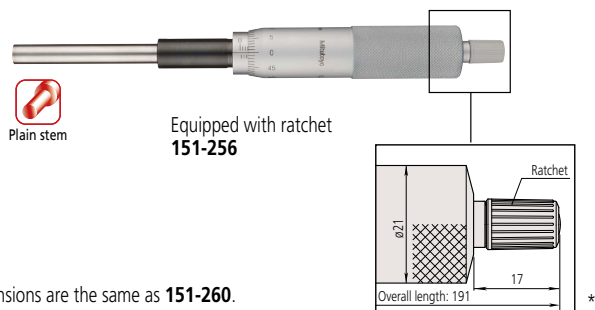
DIMENSIONS

Plain Stem

Unit: mm



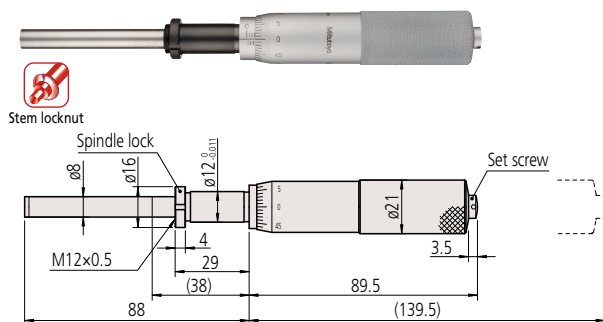
151-260 Mass: 240 g



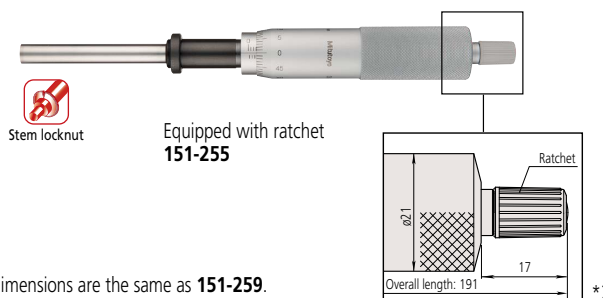
Equipped with ratchet
151-256

*1 Other dimensions are the same as **151-260**.

Stem Locknut



• Fixture thickness: 25.5 mm
151-259 Mass: 250 g



Equipped with ratchet
151-255

*2 Other dimensions are the same as **151-259**.
(): with spindle fully retracted.