

Micrometer Head

The origin of Mitutoyo's trustworthy brand of small tool instruments

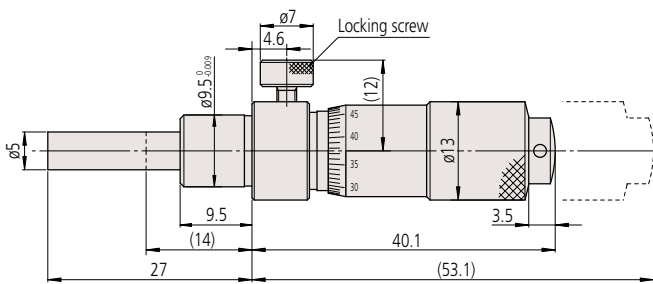
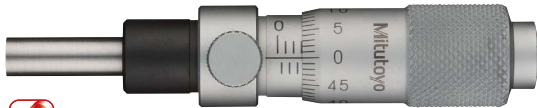
Micrometer Heads SERIES 148 — Locking-screw Type

Technical Data

- Measuring face
Material: Alloy tool steel
Hardness: 60 HRC or more
Lapped
- Scale finishing:
Satin-chrome plated

DIMENSIONS

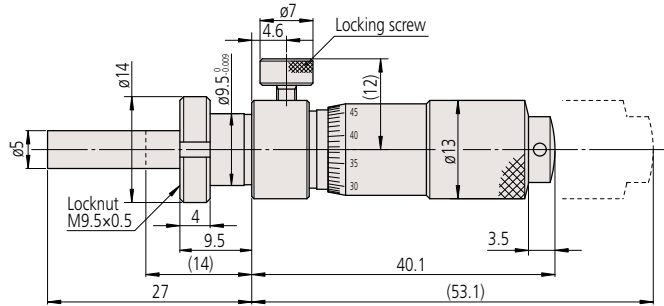
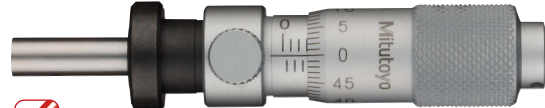
Plain Stem



148-150 Mass: 40 g

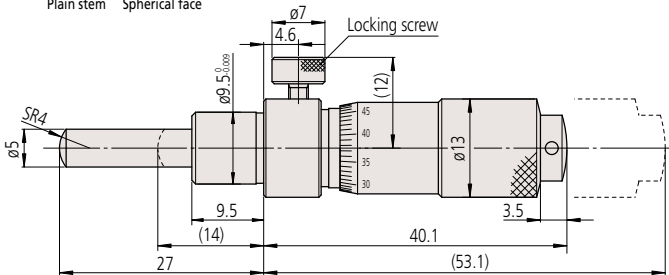
Stem Locknut

Unit: mm



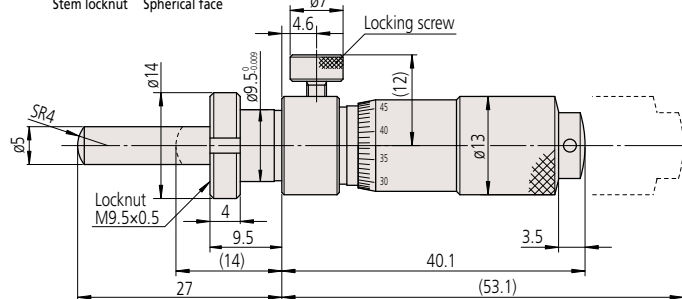
• Fixture thickness: 6 mm
148-151 Mass: 43 g

Plain Stem



Spherical face (SR4)
148-152 Mass: 40 g

Stem Locknut



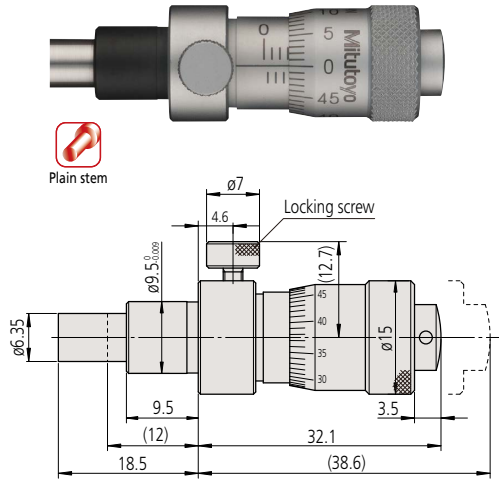
Spherical face (SR4) • Fixture thickness: 6 mm
148-153 Mass: 43 g

() : with spindle fully retracted.

Micrometer Heads SERIES 148 — Locking-screw Type

DIMENSIONS

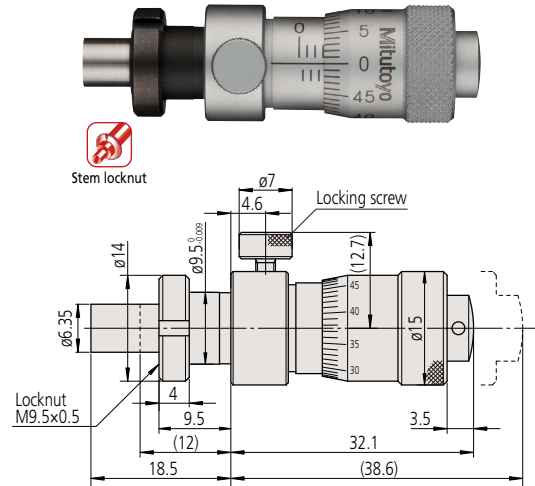
Plain Stem



Plain stem

148-316 Mass: 40 g

Stem Locknut

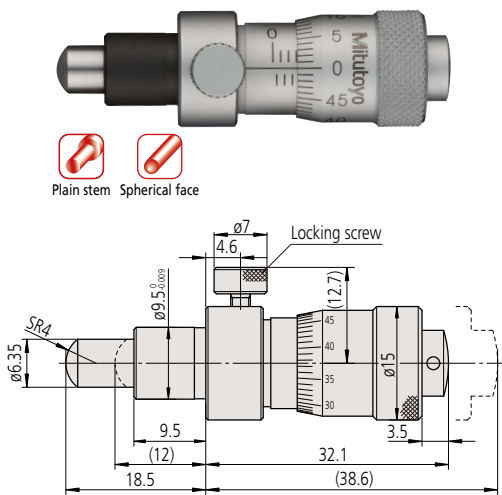


Stem locknut

• Fixture thickness: 6 mm
148-317 Mass: 43 g

Unit: mm

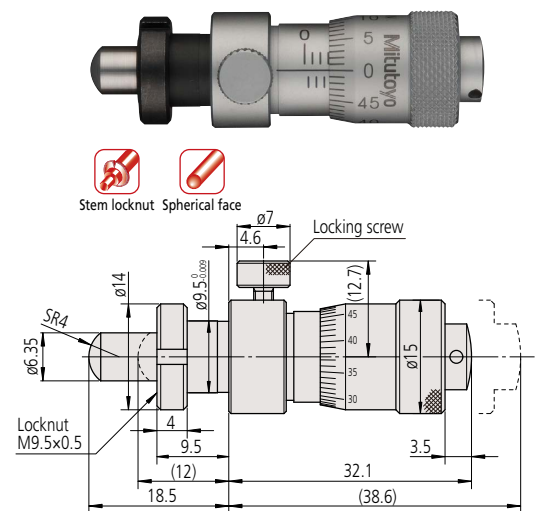
Plain Stem



Plain stem Spherical face

Spherical surface (SR4)
148-318 Mass: 40 g

Stem Locknut



Stem locknut Spherical face

Spherical surface (SR4) • Fixture thickness: 6 mm
148-319 Mass: 43 g

(): with spindle fully retracted.