

Micrometer

Sheet Metal Micrometer SERIES 119

- Large diameter dial model enables easy and quick measurement of sheet metal thickness.
- Adjustable anvil.
- Measuring faces: Carbide.
- Equipped with Ratchet Stop for constant measuring force.



119-202

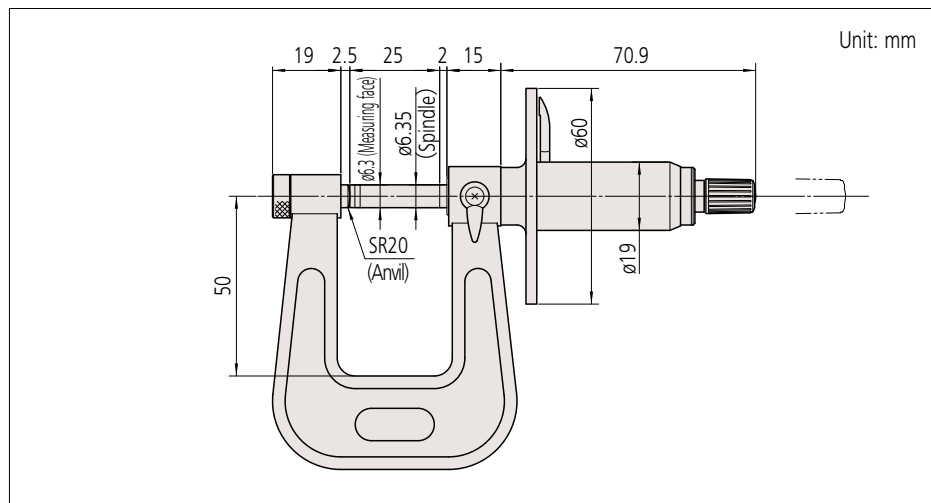
SPECIFICATIONS

Metric

Order No.	Range (mm)	Graduation (mm)	Maximum permissible error J_{MPE} (μm)	Throat depth (mm)
119-202	0 - 25	0.01	± 4	50

- Standard Accessories: Spanner (200168), 1 pc.

DIMENSIONS



Measurement example

