

Micrometer

Tube Micrometers SERIES 395, 115, 295 — Spherical Anvil and Spindle Type

- Measuring faces: Carbide. (115-201: only the spindle is carbide tipped.)
- Equipped with Ratchet Stop for constant measuring force.
- series 395: IP65 digimatic model.



395-271-30

SPECIFICATIONS

Metric					Inch / Metric				
Order No.	Range (mm)	Resolution (mm)	Maximum permissible error J_{MPE} (μm)	ϕD (mm)	Order No.	Range (in)	Resolution	Maximum permissible error J_{MPE} (in)	ϕD (in)
Digimatic (LCD)					Digimatic (LCD)				
395-271-30	0 - 25	0.001	± 2	$\phi 15$	395-371-30	0 - 1	0.00005 in/ 0.001 mm	± 0.0001	$\phi 0.59$
395-272-30	25 - 50				395-372-30	1 - 2			
395-273-30	50 - 75			395-373-30	2 - 3	$\phi 0.75$			
395-274-30	75 - 100			± 3	$\phi 20$	395-374-30			3 - 4

- Battery: SR44 (1 pc.), 938882, for initial operational checks (standard accessory)
 - Battery life: Approx. 2.4 years under normal use
 - Length standard: Electromagnetic rotary sensor
 - Standard accessories: Setting standard, 1 pc. (except for measuring range 0 to 25 mm (0 to 1 in) models), Spanner (301336), 1 pc.
- Note: For functional details, refer to page B-7.
Optional connecting cable is available only for water-proof type (Digimatic model).



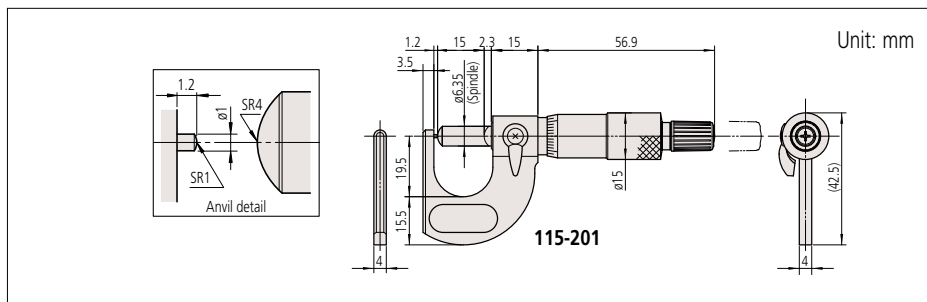
115-215

SPECIFICATIONS

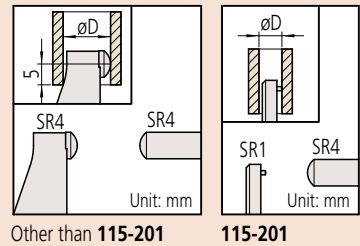
Metric					Inch				
Order No.	Range (mm)	Graduation (mm)	Maximum permissible error J_{MPE} (μm)	ϕD (mm)	Order No.	Range (in)	Graduation (in)	Maximum permissible error J_{MPE} (in)	ϕD (in)
Analog					Analog				
115-201	0 - 15	0.01	± 3	$\phi 5.5$	115-253	0 - 1	0.0001	± 0.00015	$\phi 0.40$
115-215	0 - 25			$\phi 10$	115-242	1 - 2	0.001		$\phi 0.44$
115-216	25 - 50			$\phi 11$	115-243	2 - 3			$\phi 0.67$
115-217	50 - 75			$\phi 17$	Mechanical counter model				
115-218	75 - 100			$\phi 18$	295-253	0 - 1	0.0001	± 0.00015	$\phi 0.40$
Mechanical counter model									
295-215	0 - 25	0.01	± 3	$\phi 10$					

- Standard accessories: Setting standard, 1 pc. (except for measuring range 0 to 15 mm/0 to 25 mm (0 to 1 in) models)
- Spanner (200168), 1 pc. (for 115-201), Spanner (301336), 1 pc. (for models other than 115-201)

DIMENSIONS



Measurement example



Optional Accessories

Order No.	Type	Description
05CZA662	B	Connecting cable for series 395 (1 m)
05CZA663	B	Connecting cable for series 395 (2 m)
06AFM380B	B	USB Input Tool Direct (2 m)
02AZD790B	B	Connecting cables for U-WAVE-T (160 mm)
02AZE140B	B	Connecting cables for U-WAVE-T For foot switch
264-622	IP67	U-WAVE-TM
264-623	Buzzer	U-WAVE-TM
264-626	IP67	U-WAVE-TMB
264-627	Buzzer	U-WAVE-TMB
02AZF310	IP67/ buzzer	Connecting unit for U-WAVE-TM/TMB