

Micrometer

Crimp Height Micrometers SERIES 342

- Measures the height of crimp contacts.
- Equipped with Ratchet Stop for constant measuring force.
- IP65 water/dust protection (Digimatic model).
- Model **342-451-20** is a Quickmike type model with spindle feed of 10 mm per thimble rotation.



Digimatic (LCD)
342-271-30



Quickmike type (LCD)
342-451-20

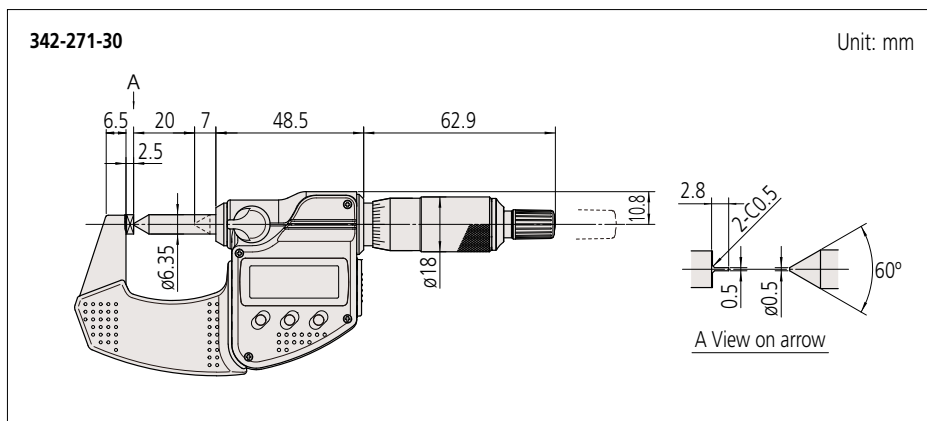
SPECIFICATIONS

Metric			
Order No.	Range (mm)	Resolution (mm)	Maximum permissible error J_{MPE} (μm)
Digimatic (LCD)			
342-271-30	0 - 20	0.001	± 3
Quickmike (LCD)			
342-451-20	0 - 15	0.001	± 3

Inch/Metric			
Order No.	Range (in)	Resolution	Maximum permissible error J_{MPE} (in)
Digimatic (LCD)			
342-371-30	0 - 0.8	0.00005 in/ 0.001 mm	± 0.00015

- Battery: SR44 (1 pc.), **938882**, for initial operational checks (standard accessory)
 - Battery life: Approx. 2.4 years under normal use (for **342-271-30/342-371-30**)
Approx. 5 years under normal use (for **342-451-20**)
 - Length standard: Electromagnetic rotary sensor (for **342-271-30/342-371-30**)
Electrostatic capacity absolute sensor (for **342-451-20**)
 - Standard accessories: Spanner (**301336**), 1 pc. (except for **342-451-20**)
- Note: For functional details, refer to page B-7
Optional connecting cable is available only for water-proof type (Digimatic model).

DIMENSIONS



MeasurLink[®] ENABLED Data Management Software by Mitutoyo **U-WAVE fit**

ABSOLUTE™ **IP65**



Dust- and Water-Protected
www.tuv.com
ID: 0000001

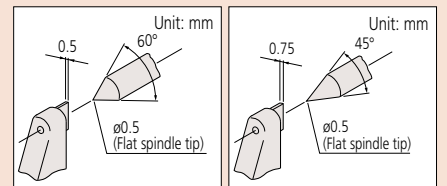


Dust- and Water-Protected
www.tuv.com
ID: 0000001

Measurement example



Anvil and spindle tip detail



342-271-30, 342-371-30 342-451-20

Optional Accessories

Order No.	Type	Description
05CZA662	B	Connecting cable (1 m)
05CZA663	B	Connecting cable (2 m)
06AFM380B	B	USB Input Tool Direct (2 m)
02AZD790B	B	Connecting cables for U-WAVE-T (160 mm)
02AZE140B	B	Connecting cables for U-WAVE-T For foot switch
264-622	IP67	U-WAVE-TM*
264-623	Buzzer	U-WAVE-TM*
264-626	IP67	U-WAVE-TMB*
264-627	Buzzer	U-WAVE-TMB*
02AZF310	IP67/ buzzer	Connecting unit for U-WAVE-TM/TMB*

* **342-271-30** and **342-371-30** can be attached.
Not available for **342-451-20**.