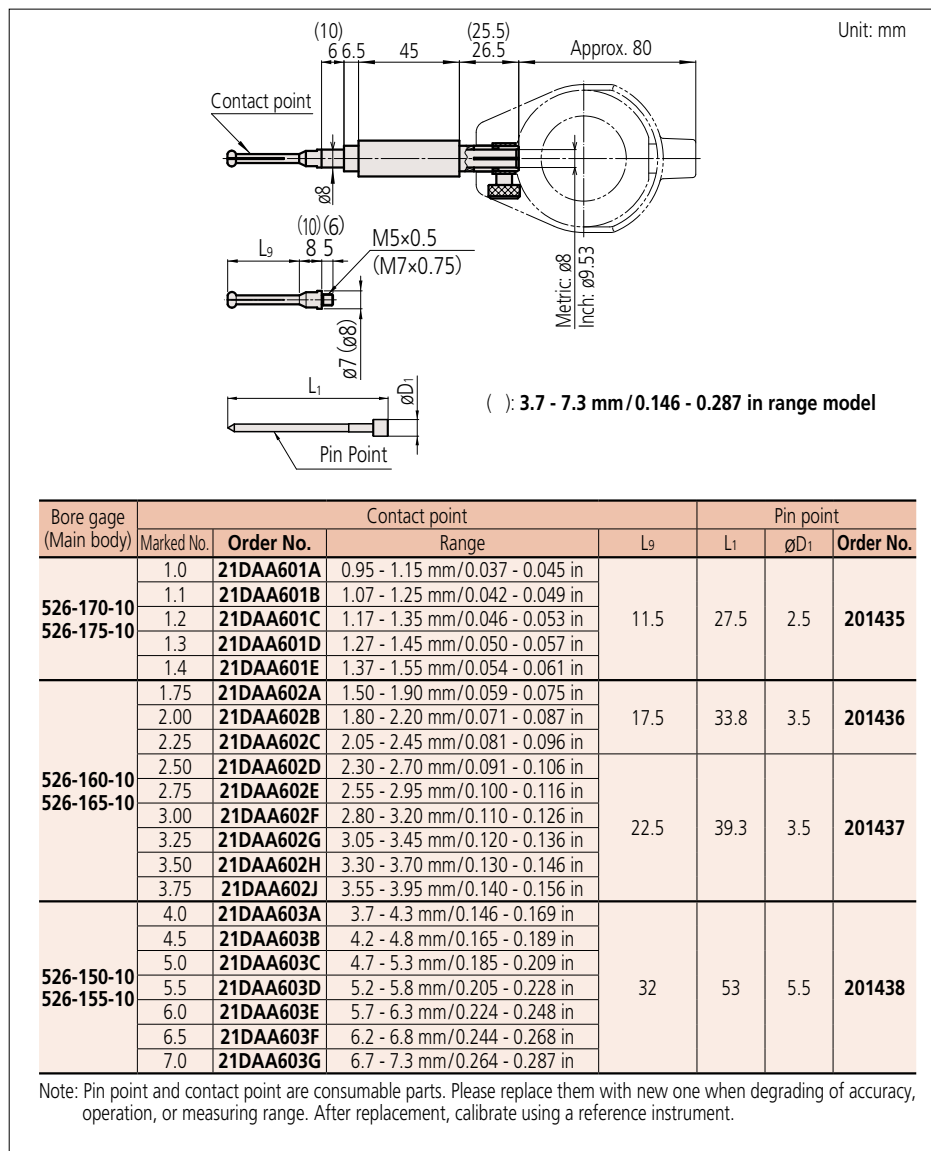


DIMENSIONS

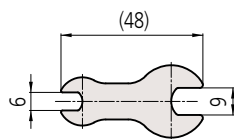
The dial protection cover, recommended indicators

Refer to page C-50.

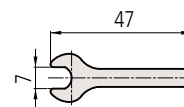


Spanner

210188



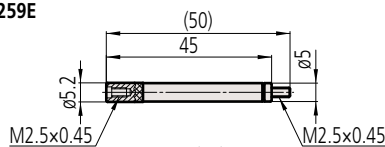
102148



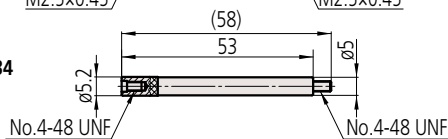
Thickness: 1.5

Extension rod

21AAA259E



213634



(): 3.7 - 7.3 mm / 0.146 - 0.287 in range model

Bore gage	Spanner	Extension rod
526-170-10	210188	21AAA259E
526-160-10		
526-150-10		
526-175-10	210188	213634
526-165-10		
526-155-10		

Note: This is not a component for extending the probing depth. (Standard Accessory)