

Height Gage

ABSOLUTE Digimatic Height Gage SERIES 570 — with Ergonomic Base

- Single column, Digimatic Height Gage entry model with large display and bottom for good operability.
- The handle for moving the slider enables smooth vertical movement.
- The highly rigid pillars and large clamp levers provide smooth and reliable workability.



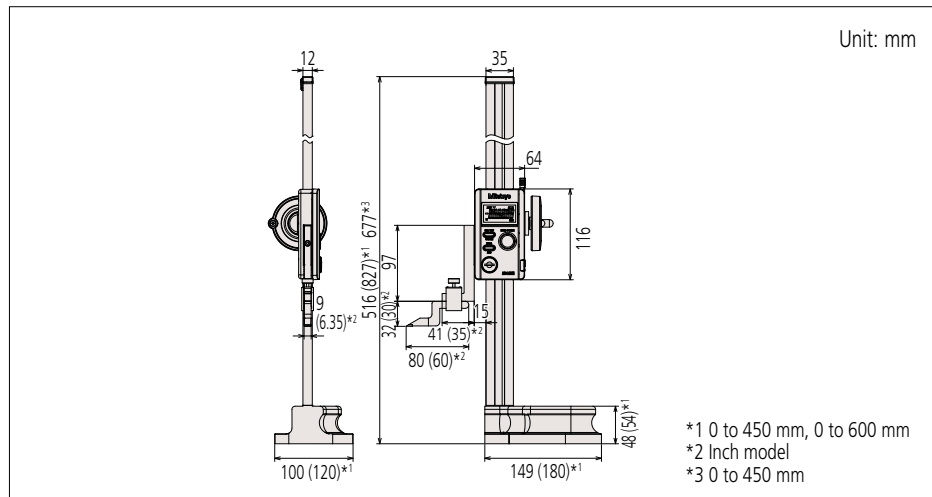
SPECIFICATIONS

Metric					
Order No.	Range (mm)	Resolution (mm)	Maximum permissible error E_{MPE} (mm)*	Max. response speed	Mass (kg)
570-402	0 - 300	0.01	±0.03	Unlimited	4.6
570-404	0 - 600		±0.05		6.4
Inch / Metric					
Order No.	Range	Resolution	Maximum permissible error E_{MPE} *	Max. response speed	Mass (kg)
570-412	0 to 12 in / 0 to 300 mm	0.0005 in / 0.01 mm	±0.0015 in / ±0.03 mm	Unlimited	4.6
570-413	0 to 18 in / 0 to 450 mm		±0.0020 in / ±0.05 mm		5.9
570-414	0 to 24 in / 0 to 600 mm		6.4		

Standard Accessories: Scriber clamp **05GZA033**, Scriber **07GZA000**

* Maximum permissible error, E_{MPE} is the term (notation) used in JIS B 7517: 2018, revised based on ISO/TR 14253-6: 2012.

DIMENSIONS



Measurement example



Functions

- Origin-setting: Any convenient reference surface, such as a surface plate, etc., can be stored as the absolute origin point.
- Absolute measurement: After power is turned ON, measurement can be started without zero-setting if origin-setting was previously performed. Absolute origin position can be changed by ORIGIN button.
- Incremental measurement: Allows origin setting at any arbitrary position. In this case, the origin point is not stored after turning off the power.
- Data hold: Display value can be held.
- Data output: Allows integration into statistical process control and measurement systems. (Refer to page A-3.)
- Low-voltage alert: Low-voltage alert: If the battery voltage becomes low, a "B" appears in the display to alert the user before measurement is no longer possible so that the battery can be changed in good time.

Optional Accessories

Order No.	Type	Description
905338	F	Connecting cables for IT/DP/MUX (1 m)
905409	F	Connecting cables for IT/DP/MUX (2 m)
06AFM380F	F	USB Input Tool Direct (2 m)
02AZD790F	F	Connecting cables for U-WAVE-T (160 mm)
902053	—	Clamp (with dovetail groove)*
953638	—	Holding bar*

* For mounting test indicators, etc. (Refer to page F-67 for details.)