

Technical Data

- Battery: Lithium Battery
- Battery life: 2,000 hours

Function

- Presetting

Digital Universal Protractor SERIES 187

- Data output function makes it easy to gather statistical data.
- Can be attached to height gages using a gage holder (**950750**, metric)
- Setting preset value.
- Removable blade.



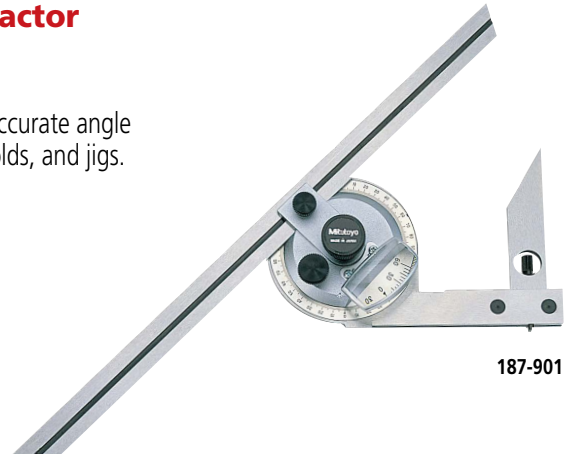
187-501

SPECIFICATIONS

| Order No. | Blade length | Range | Resolution | Accuracy | Repeatability | Remarks (standard accessory) |
|-----------|--------------|----------------|------------|--------------|---------------|--------------------------------------|
| 187-501 | 150 mm | -360° to +360° | 1' (0.01°) | ±2' (±0.03°) | 1' | Height gage holder (950750) |
| 187-502 | 300 mm | | | | | Height gage holder (950750) |
| 187-551 | 6 in | | | | | Height gage holder (950749) |
| 187-552 | 12 in | | | | | Height gage holder (950749) |

Universal Bevel Protractor SERIES 187

- High-precision instrument for accurate angle measurement on machines, molds, and jigs.
- Graduation: 5'



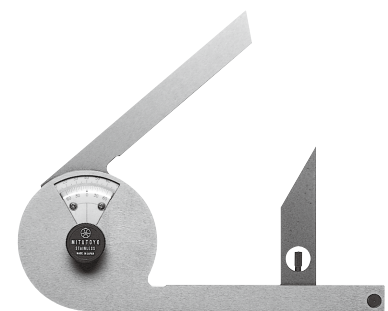
187-901

SPECIFICATIONS

| Metric | | | Inch | | |
|-----------|-------------------|-----------------------|-----------|-------------------|-----------------------|
| Order No. | Blade length (mm) | Remarks | Order No. | Blade length (in) | Remarks |
| 187-901 | 150, 300 | w/60°, 45°, 30° edges | 187-902 | 6, 12 | w/60°, 45°, 30° edges |
| 187-907 | 150 | w/60°, 45° edges | 187-904 | 6 | w/60°, 45° edges |
| 187-908 | 300 | w/60°, 45° edges | 187-906 | 12 | w/60°, 45° edges |

Bevel Protractor SERIES 187

- Consists of three sheets of stainless steel, the middle one of which is made for angle measurements.



187-201

SPECIFICATIONS

| Order No. | Blade length (mm) | Range | Graduation | Blade edge angle | Mass (g) | Remarks |
|-----------|-------------------|--------------|----------------------|------------------|----------|------------------|
| 187-201 | 137 | 90°x4 (360°) | 5' (0° to 90° to 0°) | 30° and 60° | 260 | w/60°, 30° edges |